

SHARP

PLOTTER PRINTER

MODEL **MZ-1P16**

INSTRUCTION MANUAL



INTRODUCTION

Thank you for buying the MZ-1P16 SHARP Plotter Printer.

Before using the Plotter Printer, please read this manual carefully to assure correct operation.

The contents of this manual are subject to change without notice.

If the product is defective, please contact the store where you bought it.

SHARP is not responsible for damage incurred during, or as a result of, operation.

CAUTION

1. This unit consists of precision parts, such as LSI circuits, that can be affected by the operating environment. Do not use the unit in place subject to direct sunlight, extreme change of temperature or high humidity or dust.
2. Do not bump or drop this unit.
3. Clean the unit with a dry, soft cloth. Do not use volatile liquids (alcohol, benzene, thinner, etc.) or a wet cloth.

1. Outline

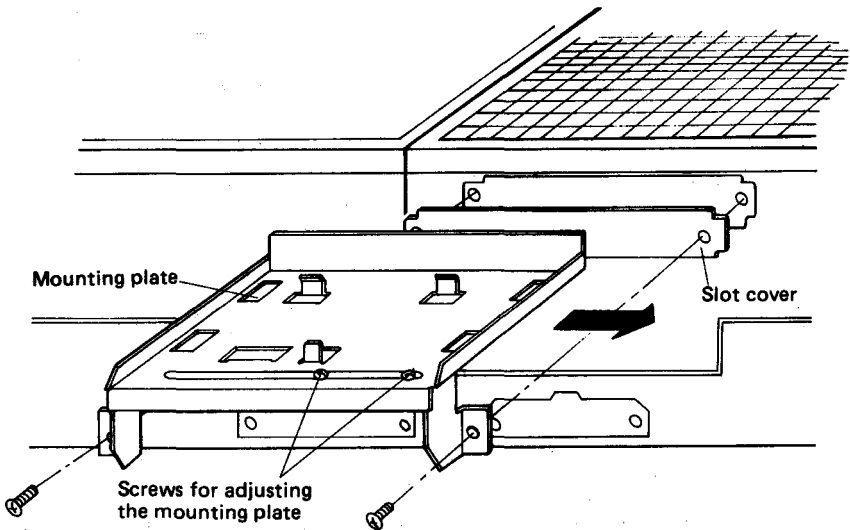
The MZ-1P16 plotter printer has been developed for use with the MZ-800 and equipped with four different coloured ball point pens. Sending BASIC instructions to this printer allows it to print various types of characters and plots.

The printer can be installed in the upper section of the MZ-800 by using a mounting plate which is supplied as an accessory to the printer.

2. Installation

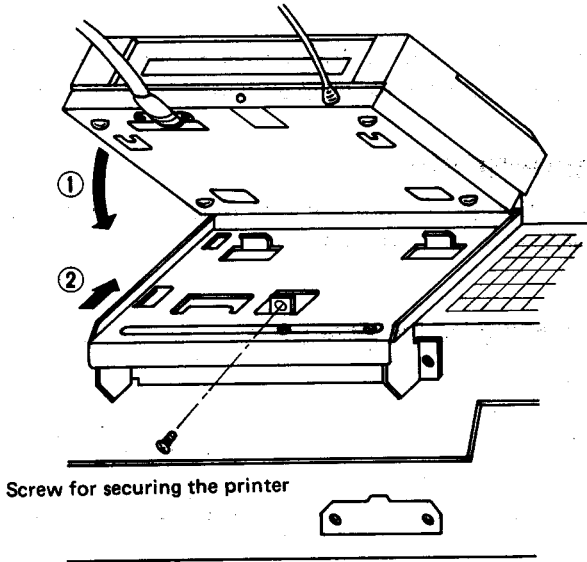
Although this printer is normally used when installed in the MZ-800, it can be also operated in a free-standing.

2-1 Attaching the mounting plate



- ① Remove the screws holding both ends of the expansion slot cover in the rear section of the MZ-800. Place the mounting plate on the upper section of the MZ-800 and screw the plate to the main unit together with the slot cover.
- ② Adjust the position of the mounting plate by sliding it in the direction of the arrow, then tighten the two screws.

2-2 Installing the printer



- ① Place the printer on the mounting plate as shown in the above figure.
- ② Gently push the printer in the direction of the arrow.
- ③ Tighten the provided screw to secure the printer.

3. Connection


Be sure that the MZ-800 and its peripheral units are turned off before connecting the printer to the computer.

For further connection details, refer to your MZ-800 OWNER'S MANUAL.

Note: Make sure that system switches 2 and 3 located on the rear section of the MZ-800 are on before you use the printer.

4. Operation

For information about operating this printer, refer to your MZ-800 OWNER'S MANUAL.

- Note:** (1) A protective sheet is inserted in this printer to protect the printer mechanism. Remove the sheet by pressing the paper feed key () before using the printer.
- (2) Take care to keep the paper dry. Otherwise, the water-soluble ink used by this plotter may bleed on the paper.

5. Specifications

Printing system:	Ball point pens (4 selectable colours)
Colours:	1. Black, 2. Blue, 3. Green, 4. Red
Printing speed:	10 characters/second average when printing at the smallest character size
Line width:	80 columns, 40 columns, or 26 columns (software selectable)
Character set:	115 (including ASCII characters)
Resolution:	0.2 mm
Power supply:	+5V (supplied by the MZ-800)
Power consumption:	11W
Dimensions:	162 (W) x 133 (D) x 59 (H) mm (excluding accessories)
Weight:	750 g (Mounting plate: 300 g)
Accessories:	Mounting plate (1), Screw (1), Roll paper (1), Ball point pens (black, blue, green, red), Paper holders (left and right), Roll shaft (1), Paper guide (1), Instruction Manual (1)

**SHARP CORPORATION
OSAKA, JAPAN**

Printed in Japan
Gedruckt in Japan
Imprimé au Japon
Stampato in Giappone